

1

2

3

4

REV	DESCRIPTION	DRAWN BY	DATE
A	NEW RELEASED	PENNY	2006.02.14

A

B

C

D

A

B

C

D

maximum components' height:



5.9mm



2.5mm



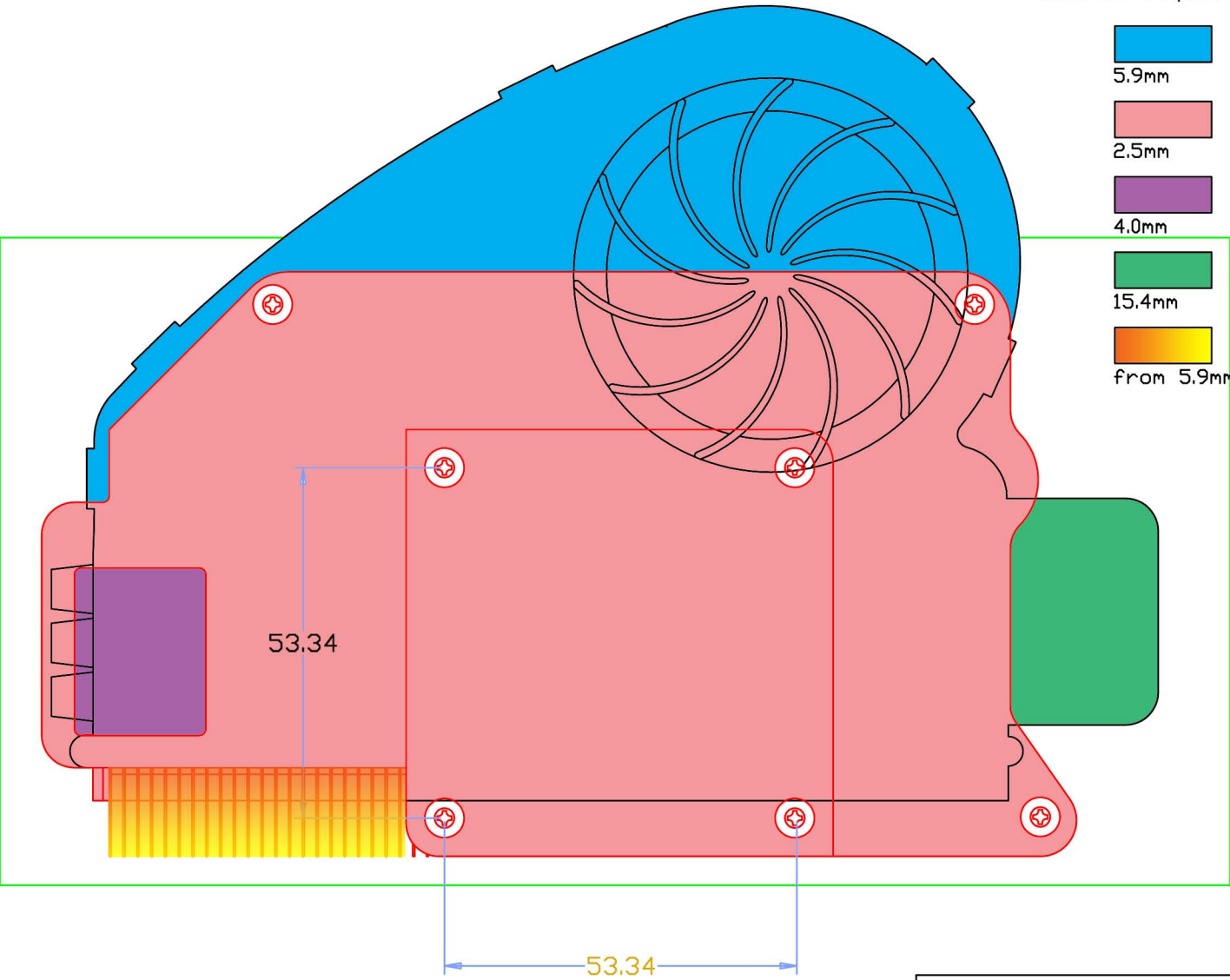
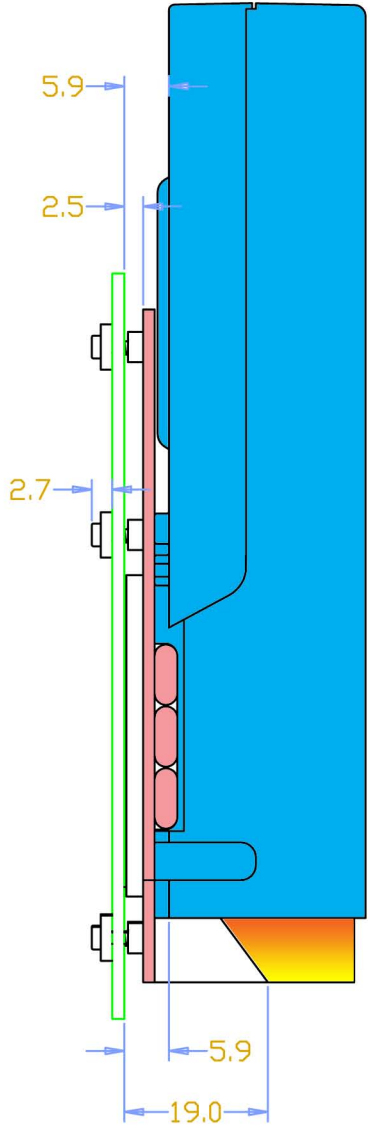
4.0mm



15.4mm



from 5.9mm to 19.0mm



ARCTIC COOLING					
TITLE ACCELERO X2 HEIGHT RESTRICTION					
MATERIAL:	-	FINISHING:	-	TOL: ±0.1mm	ANG: ±1°
PART NO.:	-	DWN BY:	-	SCALE: 1:1	UNIT: mm
MODEL NO.:	-	CHK BY:	-		SHEET 1 OF 1
DWG NO.:	-	APP BY:	-		

1

2

3

4